

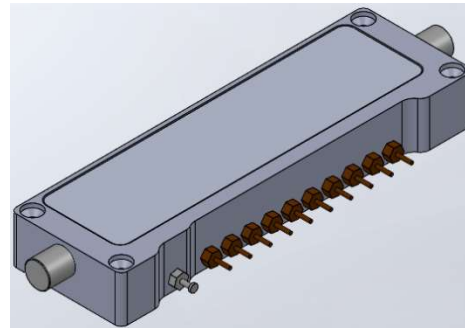
RCT0080 EW Configurable Filter Module

by R. A. Wood Associates

Introduction

The EW Configurable Filter Module (CFM) is a 2-18 GHz configurable filter with the following key attributes:

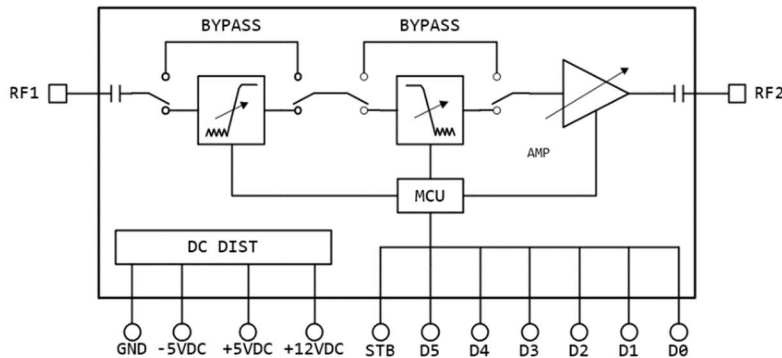
- HPF only, LPF only, or BPF modes
- Selectable HPF rejection frequencies (all modes)
- Selectable LPF rejection frequencies (all modes)
- 90 dB wideband rejection achieved using 2 internally isolated filters
- Intermediate Amplifiers minimize loss & maintain dynamic range
- 15.5 dB Output Attenuator (0.5 dB steps) for amplitude control for each filter state
- 64 user-defined modes configured to customer filter and gain requirements



Possible applications include:

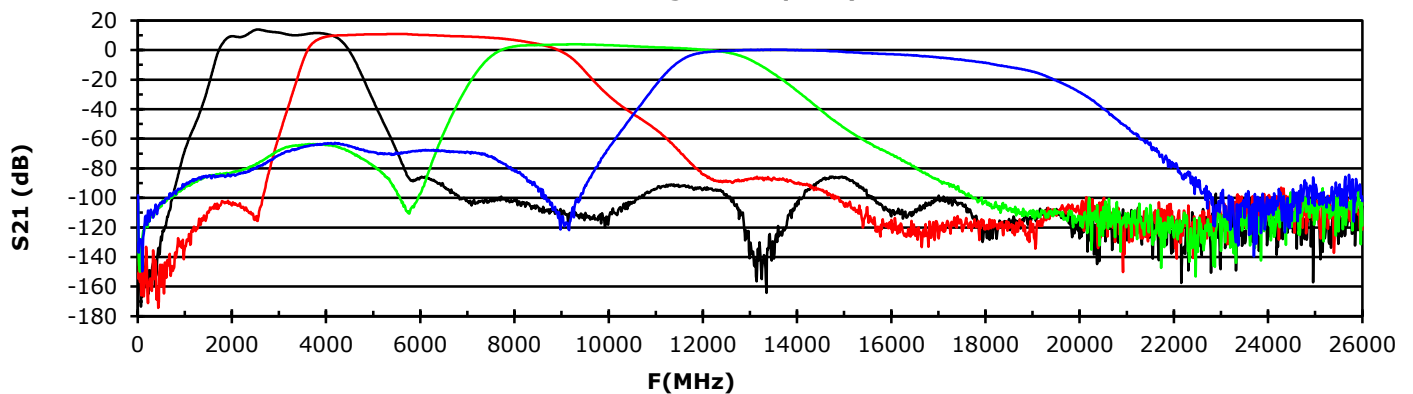
- LO switched filters
- Anti-aliasing prefilters
- EW tuner and digitizer preselection
- Filtering applications requiring a drop in module with reliable SMT MMIC design, small size, and high performance

Specification



TYPICAL PERFORMANCE @ 25°C		UNITS
RF FREQUENCY	2 to 18	GHz
LOSS	0	dB
NOISE FIGURE	10	dBm
WB REJECTION	90	dBc
INPUT 1dB COMP	TBD	dBm
RETURN LOSS	TBD	
VOLTAGE	12 / +5 / -5	VDC
AMPERAGE	400 / 4.5 / -6	mA
MAX RATINGS	MAX	UNITS
RF INPUT LEVEL	+20	dBm
OPERATING TEMP.	-40 to +85	°C
STORAGE TEMP.	-55 to +150	°C

RCT0080 Signal/Frequency



Contact us for quotation or technical inquiry today:
rawood@rawood.com or (315) 735-4217