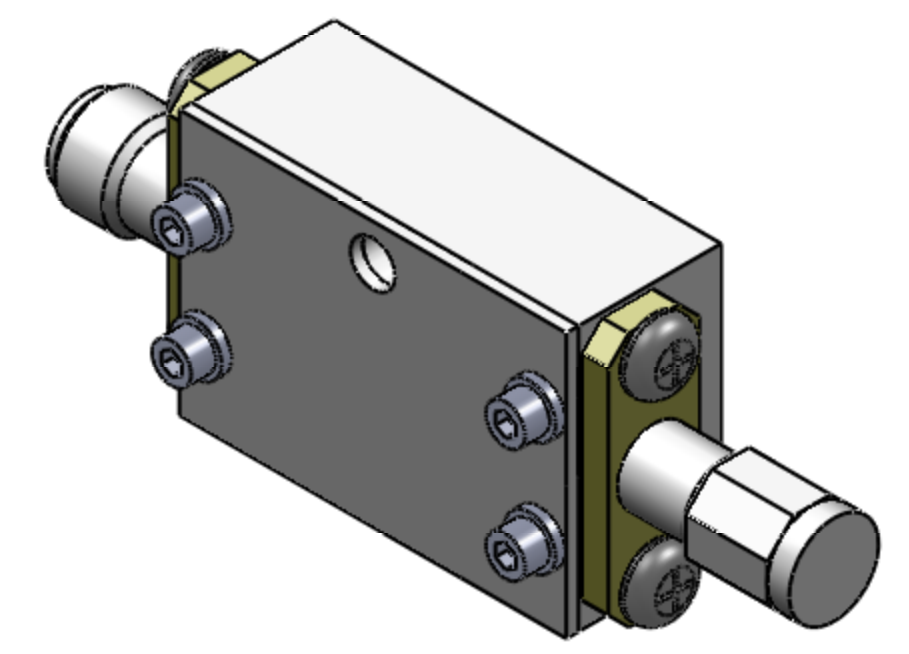
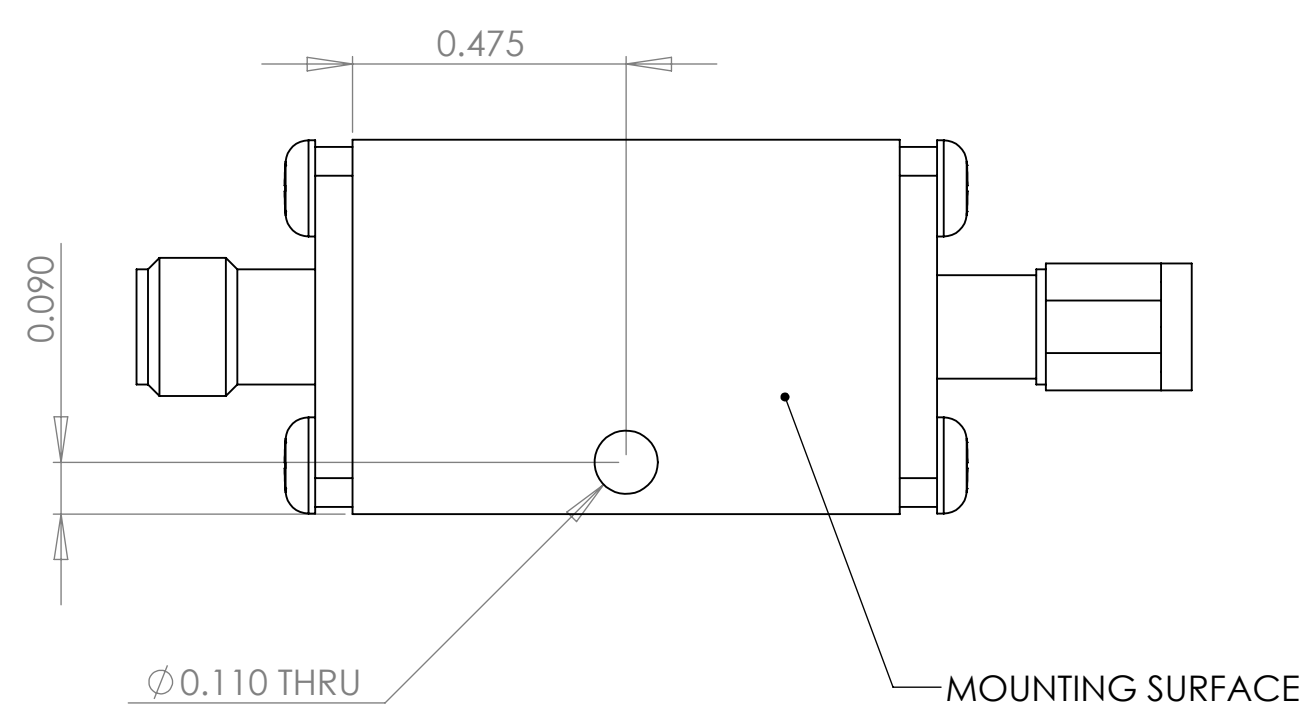
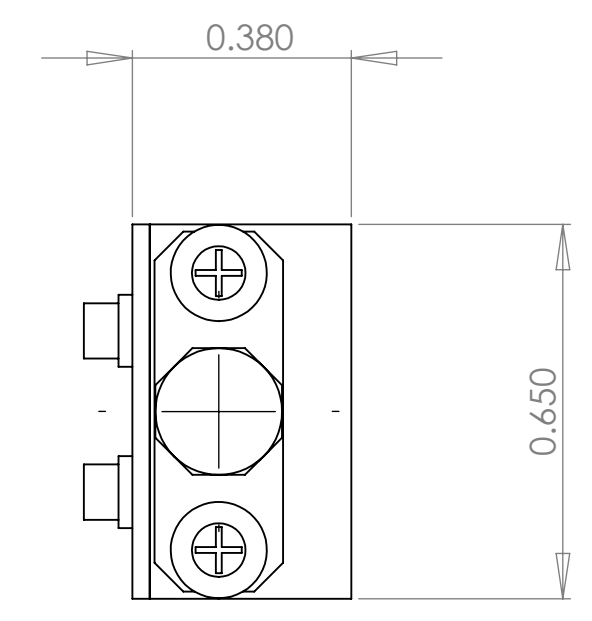
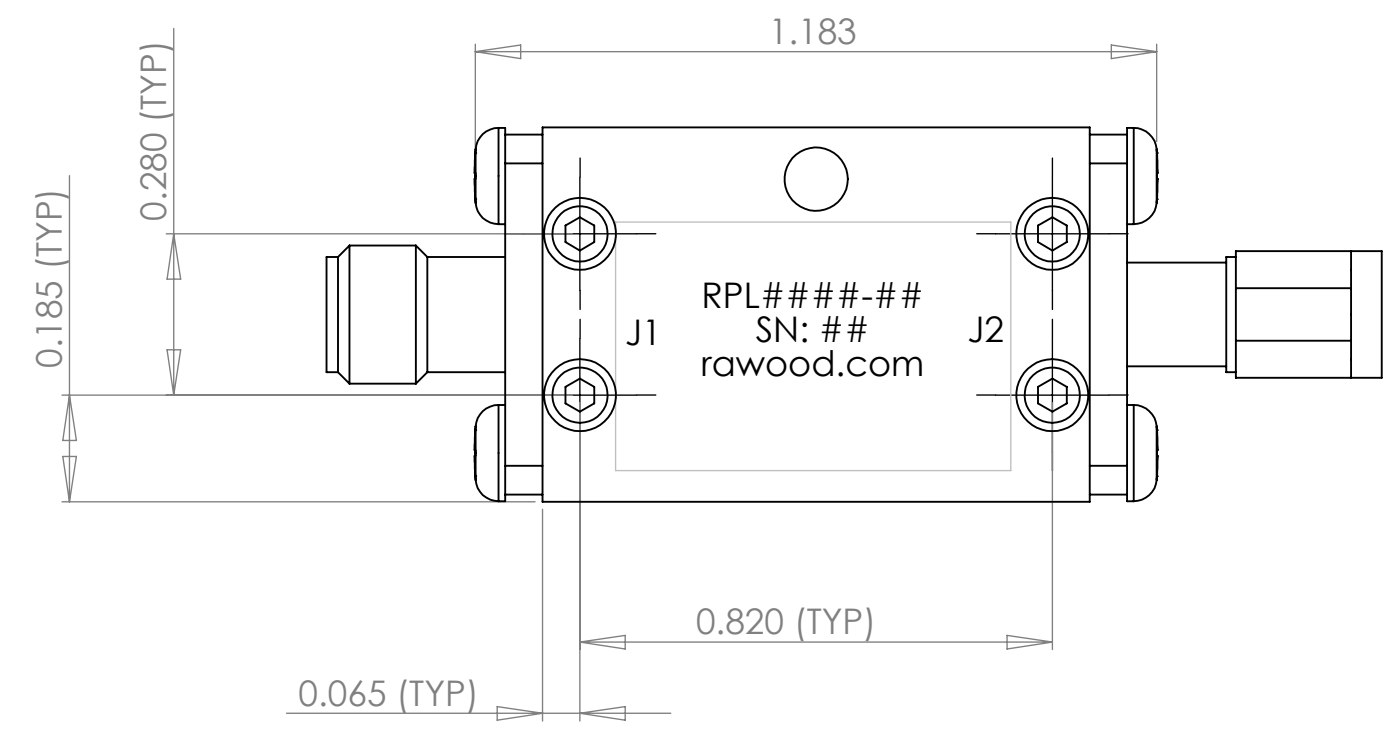
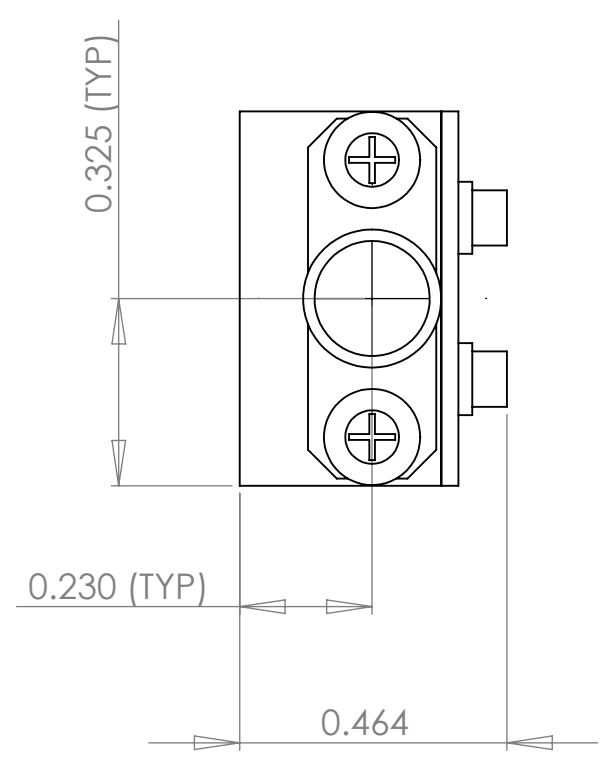
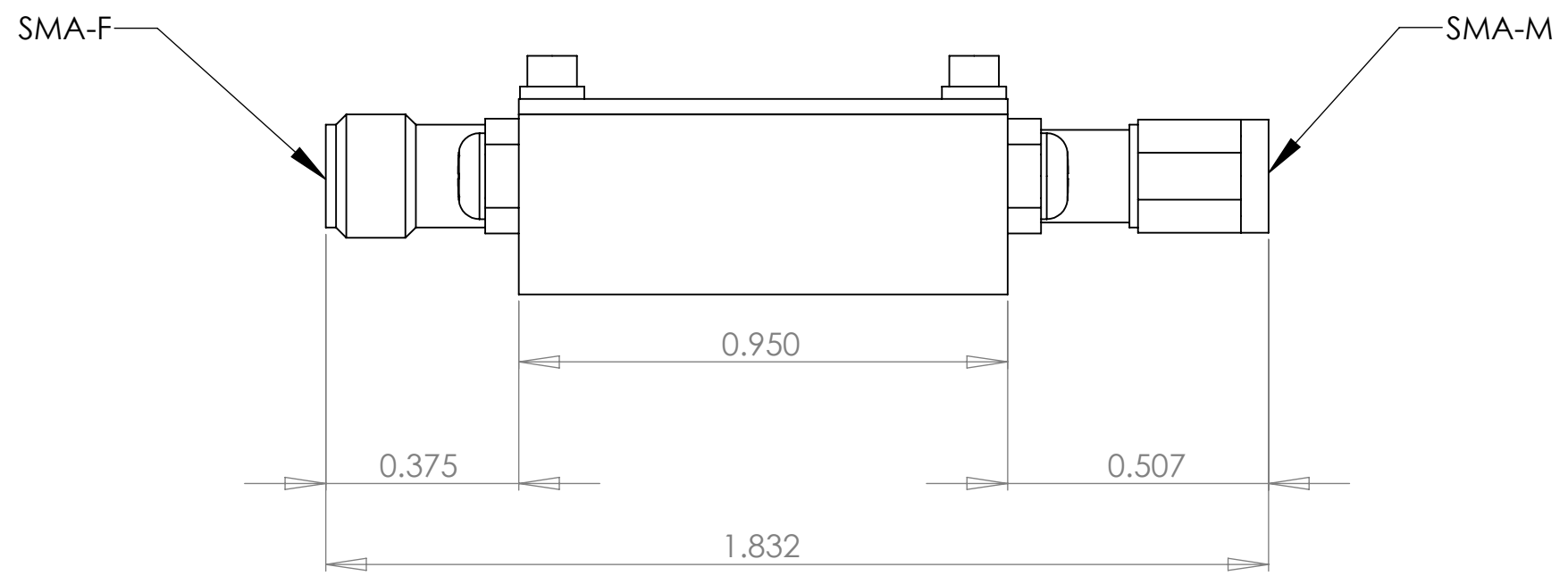


REVISIONS			
REV:	DESCRIPTION:	DATE:	DRAWN BY:



PROPRIETARY AND CONFIDENTIAL THE INFORMATION CONTAINED IN THIS DRAWING IS THE SOLE PROPERTY OF R.A. WOOD ASSOCIATES. ANY REPRODUCTION IN PART OR AS A WHOLE WITHOUT THE WRITTEN PERMISSION OF R.A. WOOD ASSOCIATES IS PROHIBITED.	UNLESS OTHERWISE SPECIFIED: 1. DIMENSIONS ARE IN INCHES 2. DIMENSIONS APPLY AFTER FINISH 3. TOLERANCES: ANGULAR: MACH ± .005 BEND ± 0.005 DECIMAL: .XXX ± 0.005 .XX ± 0.01 4. REMOVE ALL BURRS AND BREAK SHARP EDGES	MATERIAL: 6061 ALUMINUM (EXCEPT FOR CONNECTORS)	TITLE: M01 EQUALIZER ASSEMBLY
	DO NOT SCALE DRAWING	DRAWING NO.: RDC0032	FINISH: ELECTROLESS NICKEL, THICKNESS = 0.0002 - 0.0004
		DATE: 12/7/08	DRAWN BY: AES CHECKED BY: PXF SCALE: 3:1 SHEET 1 OF 1